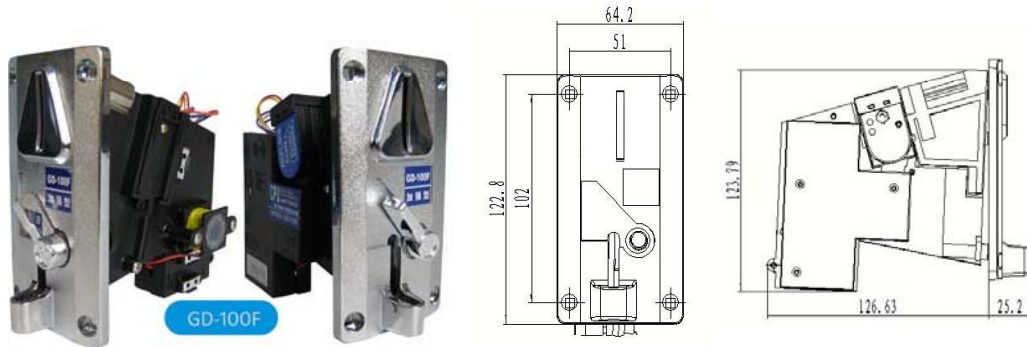


Product	GD100F Comparable Advanced Coin Validator
Specification	Input Voltage: DC+12V±20% Work Temperature: -15°C~+75°C Output: Pulse
Coin acceptance	1 coin acceptance: 17 -29mm in Coin diameter :1.2-2.8mm in thickness
Box Package	50PCS/BOX G.W.18KG N.W. 17KG SIZE. 56*36*27.8CM
Single Package	0.30KG/PC-WEIGHT 18.3*6.9*13.5CM/PC

Product View



Operation	<ol style="list-style-type: none"> 1. Firstly remove the yellow plastic token& replace the coin to the clamp. 2. Choose N.O(Normal Open) or N.C(Normal Close) in coordination with the machine specification. (Normally Mario Machines should be N.C, Gaming Machines ,other machine should be N.O) 3. Switch to “SW2”: Fast: 25ms/short pulse signal (Apply to Mario Machine) Medium: 50ms/medium pulse signal (Apply to different machine) Slow: 100ms/long pulse signal (Apply to entertainment machine) Notice: If coin-eating , please adjust the switch. 4. VR turning for sensitivity of coin acceptance: turn clockwise(+)for strict coin selecting anti-clockwise(-)for slack.
------------------	--

Cable Interface	<ol style="list-style-type: none"> 1. Gray line— Counter 2. Black line— GND 3. White line—Coin signal 4. Red line— DC+12V 	 
------------------------	---	--

History	2006 into market,8 years long history model
Application	Vending machine,gaming machine,jukebox,coinbox,cyber café,arcade crane,etc.
Standard	European standard,Especial handle high-value coins,such as USD,EURO,UK-P,etc
OEM	Accepted
Brand	GONDU